

Centrifugal Mist Collectors

Models E and EA

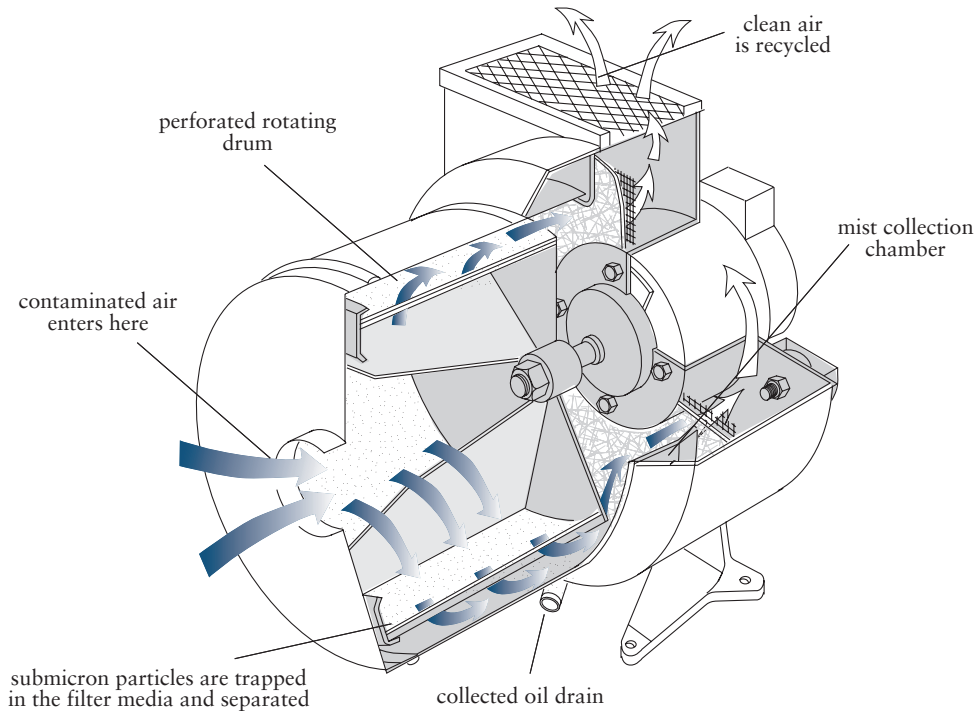
Compact, direct machine-mountable mist collectors designed to collect, filter, and reclaim mist generated from machines using oil-based, synthetic, semi-synthetic, or water-soluble coolants.



- Efficient, compact design handles mist and smoke applications from 100-1000 cfm.
- Three stages of filtration for high filtration efficiency and optimum filter life.
- Available with high performance in-cover or in-line prefilters for removal of swarf and large chips and in-cover impingers for applications with heavy concentrations of fine mist.
- High collection efficiency of 98% on 1.0 μm increasing to 99.97% at 0.3 μm with optional fourth stage HEPA filter.
- Direct-mount capability minimizes ductwork.
- Recirculation of clean air eliminates the need for costly make-up air.
- Provides a clean work environment for maximum productivity.
- Helps support OSHA Clean Air Standards.

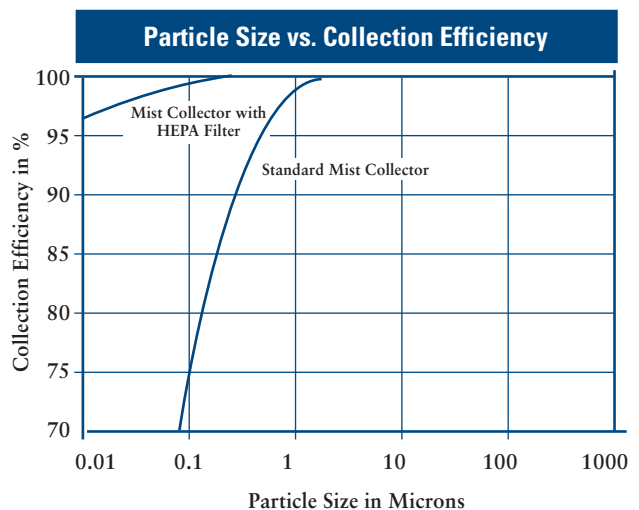
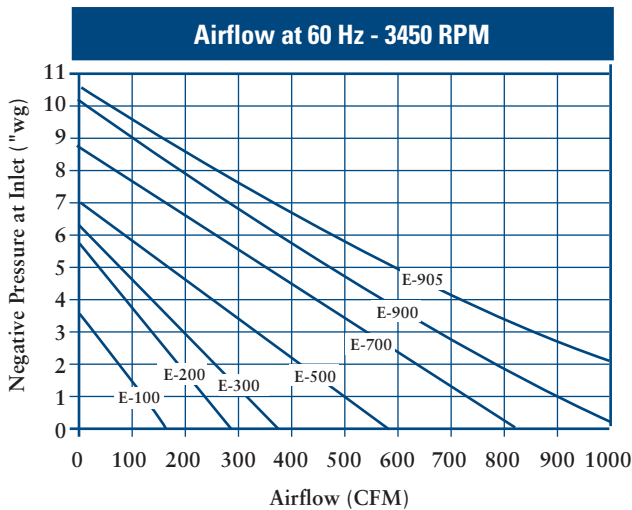
Centrifugal Mist Collectors

Operational Explanation



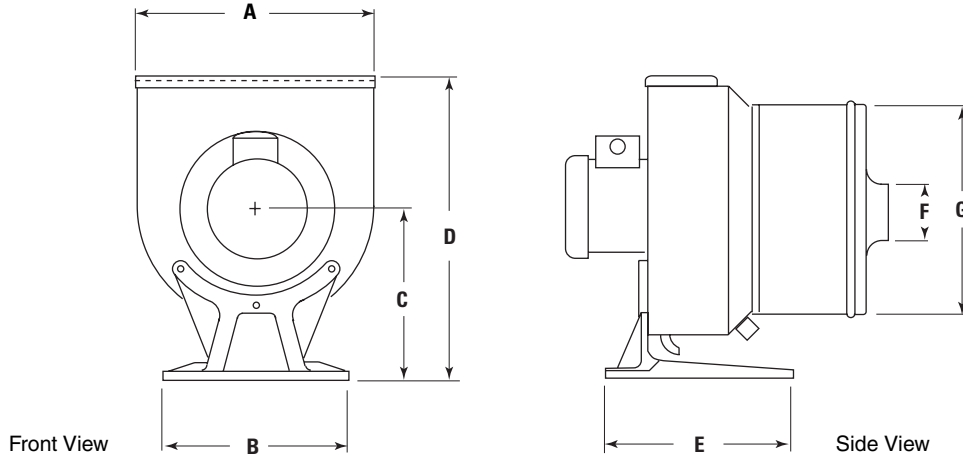
- Inexpensive, throwaway filter liners reduce maintenance costs.
- Sturdy, compact, 16-gauge steel encasement is tough and solid for harsh industrial environments.
- Optional HEPA and carbon filters are available on all models.

Performance Selections



Centrifugal Mist Collectors

Dimensions & Specifications



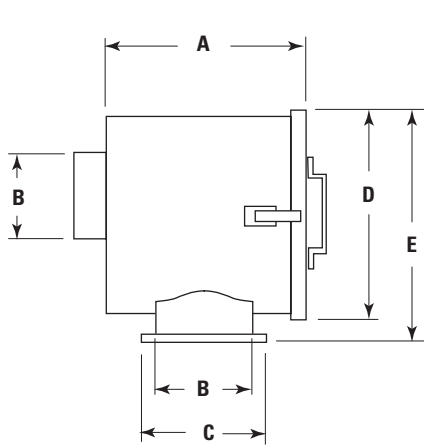
Model	Nominal Airflow* (cfm @ 1" TSP)	Motor (hp)	Dimensions*** (inches)							Sound Level dB(A)†	Shipping Weight (lbs)
			A	B	C	D	E	F	G		
E-100	100	0.5	14.9	11.5	11.5	19.4	11.5	3.9	14.5	70	125
E-200	200	0.5	14.9	11.5	11.5	19.4	11.5	3.9	14.5	70	125
E-300	300	1	17.1	11.5	12.3	21.4	11.5	3.9	14.5	72	145
E-500	500	1	17.1	11.5	12.3	21.4	11.5	5.9	14.5	72	145
EA-700	700	3	20.8	11.5	12.3	23.2	11.5	5.9	18.3	74	190
EA-900	900	3	20.8	11.5	12.3	23.2	11.5	5.9	18.3	74	190
EA-905	1000**	3	20.8	11.5	12.3	23.2	11.5	5.9	18.3	76	190

* Based on clean filters

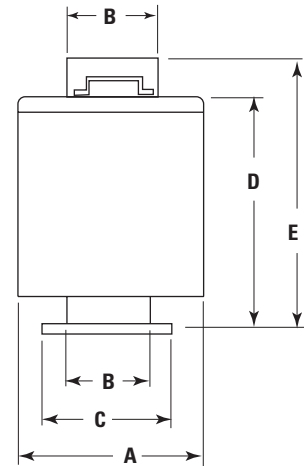
** 1,000 cfm @ 2" External Static Pressure (ESP).

*** Dimensions do not include HEPA option.

† The actual measured sound level will vary, depending on background noise and room conditions.



Horizontal Prefilter Trap



Vertical Prefilter Trap

Model	Dimensions (inches) Horizontal				
	A	B	C	D	E
E-100	9.1	3.9	6.0	9.1	10.0
E-200	9.1	3.9	6.0	9.1	10.0
E-300	9.1	3.9	6.0	9.1	10.0
E-500	12.1	5.9	8.0	12.1	13.0
EA-700	12.1	5.9	8.0	12.1	13.0
EA-900	12.1	5.9	8.0	12.1	13.0
EA-905	12.1	5.9	8.0	12.1	13.0

Model	Dimensions (inches) Vertical				
	A	B	C	D	E
E-100	9.1	3.9	6.0	10.8	11.8
E-200	9.1	3.9	6.0	10.8	11.8
E-300	9.1	3.9	6.0	10.8	11.8
E-500	12.3	5.9	8.0	14.1	15.5
EA-700	12.3	5.9	8.0	14.1	15.5
EA-900	12.3	5.9	8.0	14.1	15.5
EA-905	12.3	5.9	8.0	14.1	15.5

Centrifugal Mist Collectors

Standard Features & Equipment Options

	Standard	Optional		Standard	Optional
Collector Design			Filters and Liners		
Heavy-Gauge Steel Construction	X		Throwaway Liner	X	
Three Filtration Stages	X		Primary Filter	X	
TEFC Motor	X		Secondary Filter	X	
Drain Kit	X		Exhaust Grill Filter	X	
3-Phase, 50-60 Hz Motor	X		Sock Filter (In-Line Prefilter)		X
1-Phase, 60 Hz Motor		X	Carbon Filter		X
Flexible Inlet Hose Kit		X	HEPA Filter (Fourth Stage)		X
Pedestal- 6' x 6"		X	Paint System		
Explosion Proof Motor		X	Electrostatically applied powder coat TGIC polyester texture finish (2-mil dry film thickness) inside and out. Paint system passed a 350-hour salt-spray corrosion protection test	X	
Aluminum Drum Assembly		X	Hostile Environment Coating		X
Vibration Isolators		X	Custom Color		X
Inlet Adapter		X	Warranty		
Prefilter Trap		X	10-Year Warranty	X	
In-Cover Trap		X			
In-Cover Impinger		X			



Donaldson

Filtration Solutions

Donaldson Company, Inc.
Industrial Air Filtration
P.O. Box 1299
Minneapolis, MN 55440

Tel 800-365-1331(USA)
Tel 800-343-3639 (within Mexico)
dustmktg@mail.donaldson.com
www.donaldsontorit.com

Significantly improve the performance of your collector with genuine Donaldson Torit replacement filters and parts.

Visit us at www.donaldsondynamic.com

Information in this document is subject to change without notice.

© 2003 Donaldson Co., Inc.
Printed in U.S.A. on recycled paper

Data Sheet Centrifugal (03/06)

